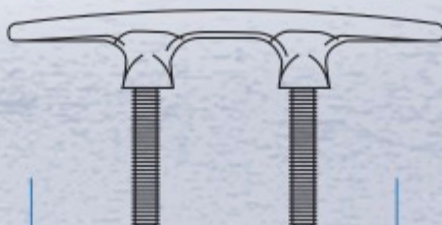
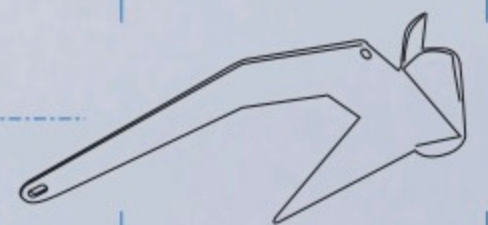


# MARINE HARDWARE

SPECIALIZING IN OEM QUALITY STAINLESS STEEL & CUSTOM MANUFACTURING



GGB VENTURES  
INTERNATIONAL INC.



## TABLE OF CONTENTS

HAWSE PIPES .....	1
ROPE & DECK PIPES.....	1
DECK CLEATS.....	1
BOW & STERN EYES.....	1
GRAB HANDLES.....	2
DRINK HOLDERS.....	2
ACCESSORIES .....	2
PLATFORM LADDERS.....	3-4
TOP FITTINGS.....	4
END FITTINGS .....	5
GAS VENTS .....	5
TOP HARDWARE .....	5



GGB has more than 65 years of facilitating engineered components to customers throughout North America.

Our mandate is to work together with you, enhancing views and learning exactly how we can assist. Ultimately achieving **expected** production and supply, **ensuring** on-time delivery, **informing** via custom blanket order schedules, **protecting** with available contingent inventory, and **maintaining quality** expectations at the lowest possible price.

Whether it is standard deck hardware or custom manufactured stainless or aluminum, GGB is committed to servicing your needs.



P/N	PRICE	FLANGE	INT. HOLE	DEPTH	FASTENER	WT.(g)
66223		5.5" x2.5" (140x64mm)	1.5"x3.75" (38x95mm)	.88" (22mm)	#10(4)	320



316SS Investment Cast Hawse Pipe With Mirror Finish

HAWSE PIPES

P/N	PRICE	PIPE SIZE	HOLE REQ.	FASTENER	WT.(g)
66008		3.8"x2.5" (97x64mm)	4.1"x2.8" (104x71mm)	#10(4)	940

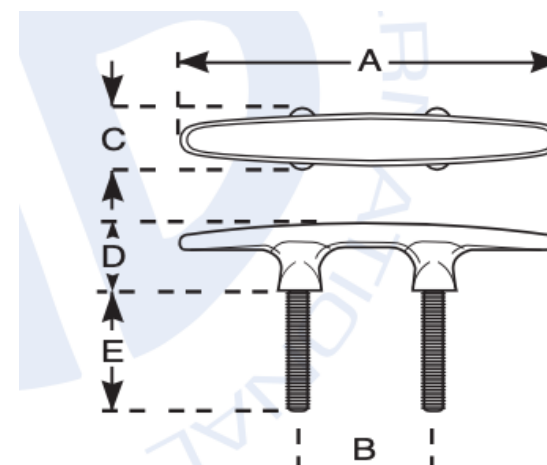


316SS Investment Cast Rope and Deck Pipe With Mirror Finish

ROPE & DECK PIPES

P/N	PRICE	CLEAT SIZE (A)	STUD C/C (B)	WIDTH (C)	DECK-TOP HEIGHT (D)
GGB-M012-0134Y		8" (203mm)	2-13/16" (71mm)	7/8" (22mm)	1-3/8" (35mm)
GGB-M012-0130Y		6" (152mm)	2-1/4" (57mm)	7/8" (22mm)	1-3/16" (30mm)

316SS Investment Cast Stud Cleats with Mirror Finish ; Washers and Nuts Included.



DECK CLEATS

P/N	PRICE	(A)	(B)	(C)	(D)	(E)	WEIGHT (g)	PACK
22012177		3/8"	3"	1-1/8"	4-1/2"	1-7/16"	157	20
22012126		1/2"	4"	1-3/8"	6"	1-7/8"	342	10

Polished 316SS

Drink Holders with Fasteners

GGB Marine Bow and Stern eyes come with adjustable finished nuts. The shafts have rolled threads. All parts are formed out of 316 Stainless steel.

**Plates Sizes:**

**22012177**

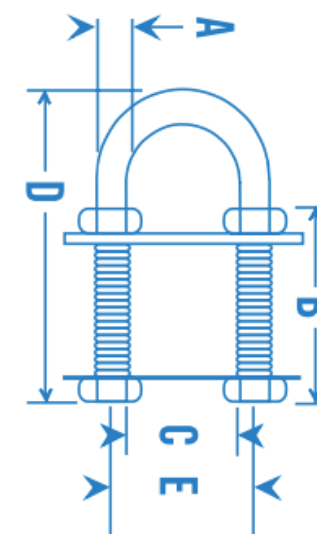
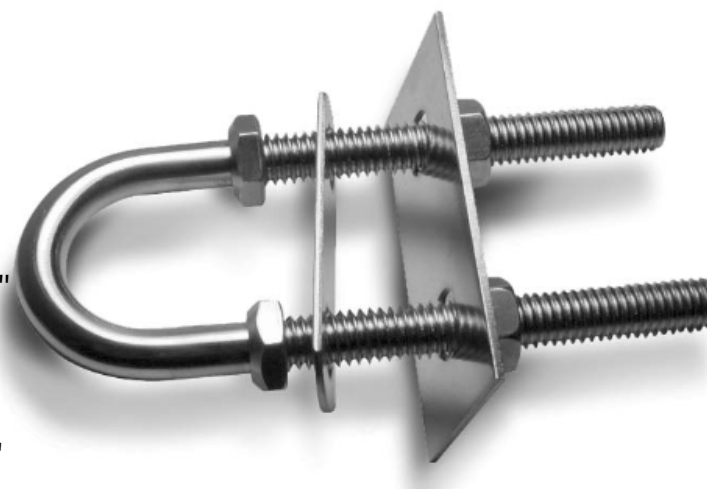
Plate 1: 2-1/4" x 3/4"

Plate 2: 2-3/4" x 1-1/4"

**22012126**

Plate 1: 3" x 3/4"

Plate 2: 3-1/2" x 1-1/4"

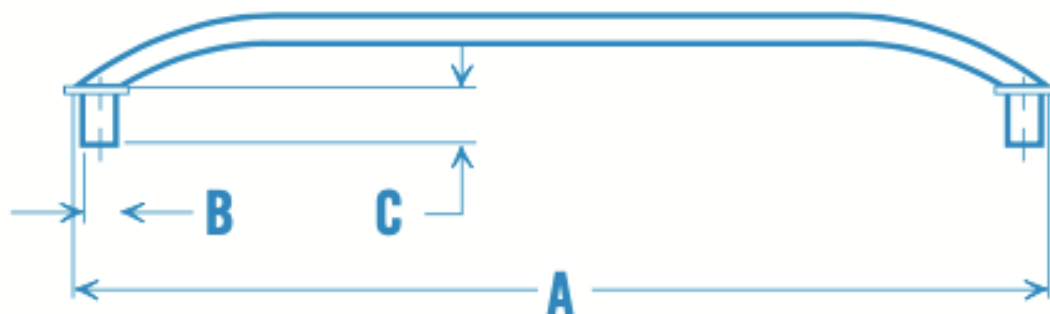


BOW & STERN EYES



P/N	PRICE	STUD HOLE CENTER (A)	STUD SIZE (B)	STUD LENGTH (C)	PACK
GGB-304GH.825		8.25"	5/16" - 18	2"	40pcs

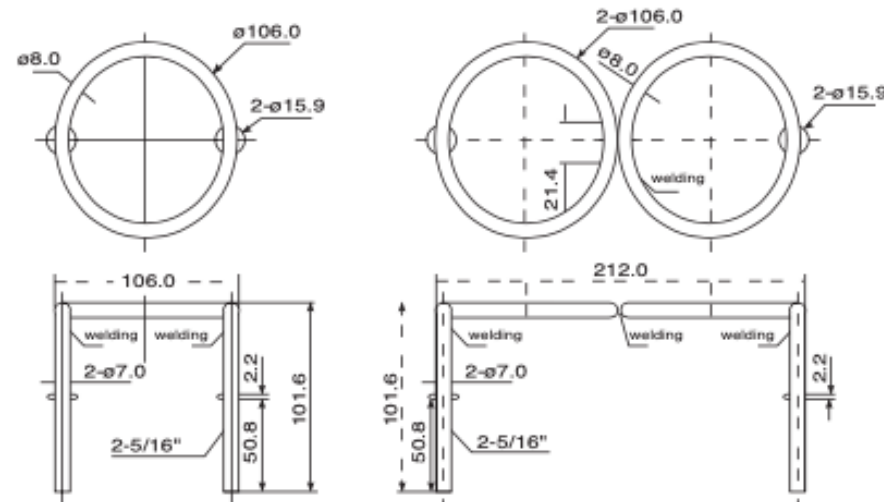
304SS & 316SS Formed Flange Grab Handle with Mirror Finish



### GRAB HANDLES

P/N	PRICE	INSIDE RING DIAMETER (I.D)	OUTSIDE RING DIAMETER (O.D.)	ABOVE DECK WHEN INSTALLED	TOTAL WIDTH
GGB-8275-1		3-5/16"(84mm)	4"(102mm)	3-1/4"(83mm)	4-1/6"(106mm)
GGB-8275-2		3-5/16"(84mm)	4"(102mm)	3-1/4"(83mm)	8-3/8"(212mm)

Polished 316SS  
Drink Holders with  
Fasteners



### DRINK HOLDERS

P/N	PRICE	KNOB WIDTH	SCREW SIZE	COATED CABLED LENGTH
GGB-88BSC.31		1-1/2"	5/16-18 x 7/8"	6-3/4" heavy duty

304SS Black Knob with Cable and Tab for Use with Deck Hinge GGB-66108 less bolt.



### ACCESSORIES



<b>P/N</b>	<b>OVERALL WIDTH</b>	<b>LENGTH DEPLOYED</b>
GGB-3205.OV2	11-1/2"(292mm)	23-1/2"(597mm)

<b>LENGTH STOWED</b>	<b>HEIGHT STOWED</b>	<b>PRICE</b>
13-1/4"(337mm)	1-1/2"(38mm)	

Over-Platform 2-Step Telescoping Boat Ladder with Heavy Duty Gudgeons



PLATFORM LADDERS

<b>P/N</b>	<b>OVERALL WIDTH</b>	<b>LENGTH DEPLOYED</b>
GGB-3205.OV3WH	11-3/5"(295mm)	34-7/8" (876mm)

<b>LENGTH STOWED</b>	<b>HEIGHT STOWED</b>	<b>PRICE</b>
15" (381mm)	1-3/5"(41mm)	

Over-Platform 3-Step Telescoping Boat Ladder with Heavy Duty Gudgeons and Grip Handle



PLATFORM LADDERS

<b>P/N</b>	<b>OVERALL WIDTH</b>	<b>LENGTH DEPLOYED</b>
GGB-3208.UN3	11-7/16"	34-7/8"

<b>LENGTH STOWED</b>	<b>HEIGHT STOWED</b>	<b>PRICE</b>
14-3/4"	2-5/8"	

High Polished 304SS 3-Step Sliding Boat Ladder: Under-Platform with Mounting Frame



PLATFORM LADDERS



P/N	OVERALL WIDTH	LENGTH DEPLOYED
GGB-3205.OPS4	11-1/2"(292mm)	23-1/2"(597mm)

LENGTH STOWED	HEIGHT STOWED	PRICE
13-1/4"(337mm)	1-1/2"(38mm)	

Over-Platform 4-Step Telescoping Boat Ladder with Sliding Gudgeons



Slide Assembly Parts that are included with 4-Step sliding ladder GGB-3205.OPST are:

- 4 s/s nuts
- 4 s/s 1/4" x 2" threaded nuts
- 4 s/s washers
- 2 s/s slide ovals
- 2 black pvc slide ovals
- 2 s/s mounting plates

### PLATFORM LADDERS



P/N	OVERALL WIDTH	LENGTH DEPLOYED
GGB-3205.OPS4FG	11-3/5"(295mm)	34-7/8" (876mm)

LENGTH STOWED	HEIGHT STOWED	PRICE
15" (381mm)	1-3/5"(41mm)	

Over-Platform 4-Step Telescoping Boat Ladder with Sliding Gudgeons and Handle



### PLATFORM LADDERS

P/N	PRICE	TUBE SIZE	PIN SIZE	WT.(g)
66101-M		7/8"(22.2mm)	1/4"(6.3mm)	100

Polished 316SS Investment Cast Top Cap with 1/4-28 set screw and rivet hole

### TOP FITTINGS



P/N	PRICE	TUBE SIZE	PIN SIZE	WT.(g)
66100-M		7/8"(22.2mm)	1/4"-20(6.3mm-20)	100

Polished 316SS Investment Cast Top Slide with bolt and 1/4-28 set screw and rivet hole.

### TOP FITTINGS





P/N	PRICE	O.D. WIDTH	I.D. WIDTH	TOTAL LENGTH
GGB-665010		1-7/8"	1-3/4"	2-1/4"

**FOR RUB RAIL SIZE**  
1-3/4"

High Polised 316SS Investment Cast Round End Cap for 1-3/4" rub rail

END FITTINGS



P/N	INSTALLATION HOLE SIZE	HOSE/PIPE SIZE
GGB-M025-0004Y	1-1/2"(38mm)	9/16"(14mm)

MAX HULL THICKNESS	ANGLE	PRICE
7/16"(11mm)	90 Degree	

High Polised 316SS Gas Vent with Stainless Steel Screen, Cups and Fasteners.

GAS VENTS

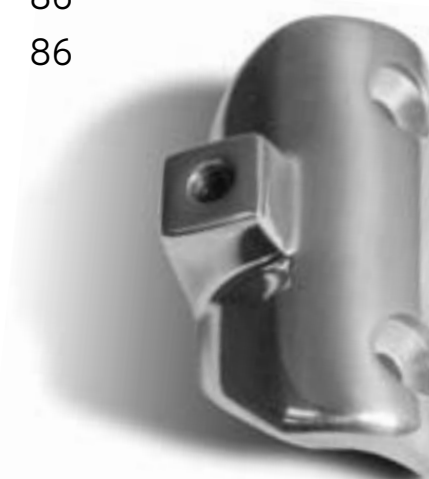


P/N	BASE SIZE	WINDSHIELD FRAME	PIN SIZE	FASTENER	WEIGHT (g)	PRICE
GGB-M049-0261Y	2-3/8" x .82"	Fits up to .60" width"	1/4"-20	#10(2)	86	
GGB-M049-0315Y	2-3/8" x .82"	90 Degree Angle	1/4"-20	#10(2)	86	
GGB-M049-0376Y	2-3/8" x .82"	90 Degree Angle, no ridge	1/4"-20	#10(2)	86	

Polished 316SS Investment Cast Round Header Side Mount

GGB Marine Round Header Side Mount is designed to be used as an alternate to our standard side mount deck hinge. Also, can be used as a mounting bracket to windshield for mirrors.

TOP HARDWARE



P/N	PRICE	BASE SIZE	PIN SIZE	FASTENER	WT.(g)
GGB-65312		.83 x 1.60"	1/4"-20	#10(2)	77

High Polised 316SS Investment Cast Deck Hinge with Removable Concave Base

TOP HARDWARE

